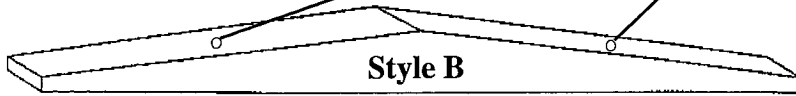


Dock Seal/Shelter Installation Instructions

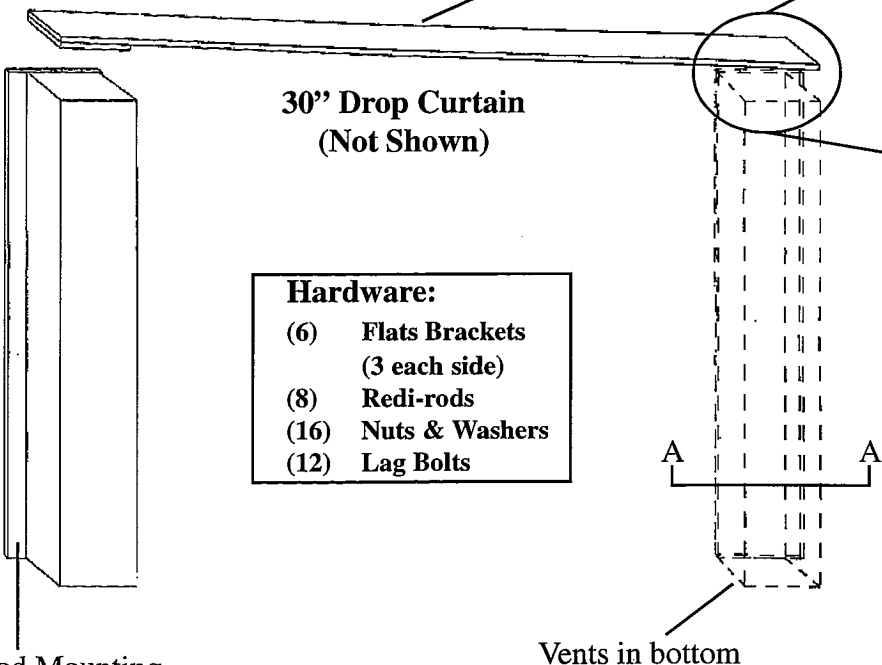
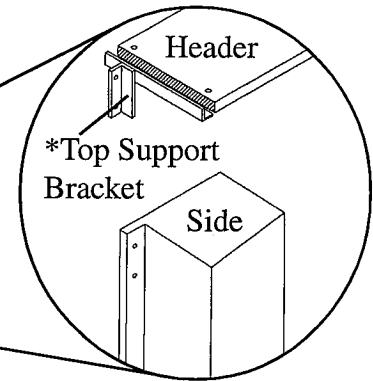
For 8 ft. wide x 10' high Door

1. Mount side pieces with vents at bottom.
2. Measure the length of top frame to determine the outside width of dimension of the foam of the sides.
3. Installation of the sides first is recommended. It is easier to install all brackets on sides prior to erection. This includes top support bracket.
4. Install top last. Use 3/8" bolt in center of top to fasten top to the building (supplied). Use bolts provided to fasten top to top support brackets. Use 3/8" bolts or 3/8" redi-rod to fasten top to wall. If top projection is over 10" mount in 2 places, using 3/8" bolts or 3/8" redi-rod through the wall.

Projections over 12" use Style B Header



Top Center Bracket is bolted to or through the wall using 3/8" bolts or 3/8" redi-rod. (3" x 3" x 1/4") angle



Hardware:	
(6)	Flats Brackets (3 each side)
(8)	Redi-rods
(16)	Nuts & Washers
(12)	Lag Bolts

*Note: Use 3/8" bolt or 3/8" redi-rod to mount top support bracket through wall

