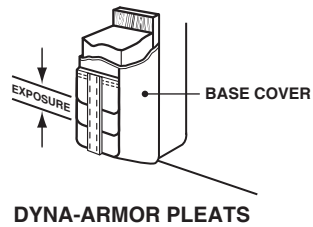
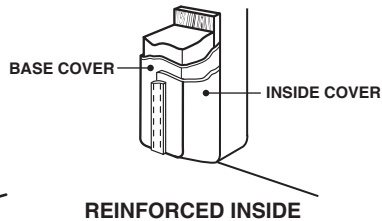
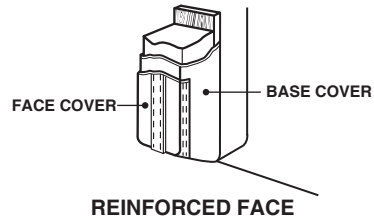
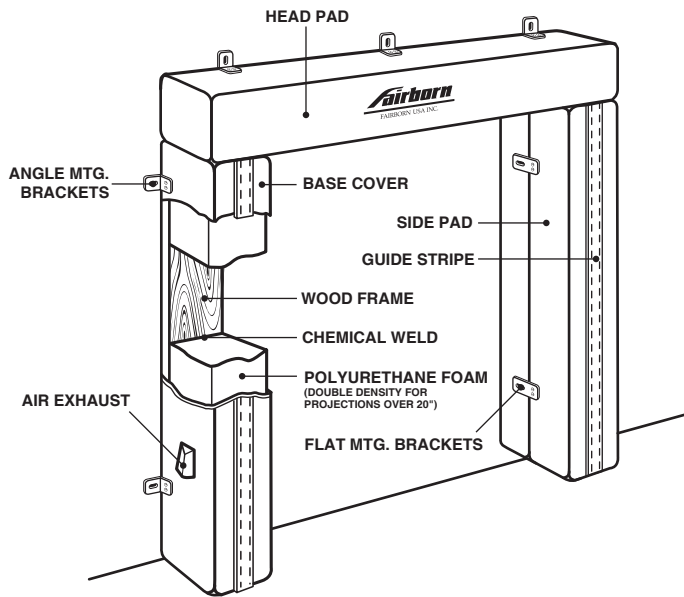
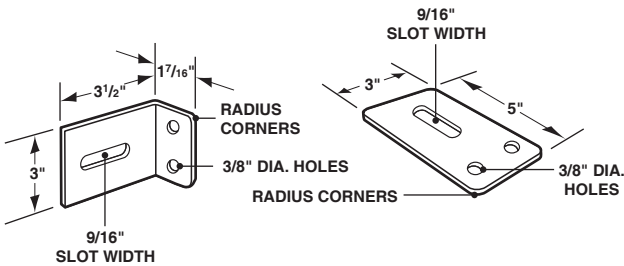
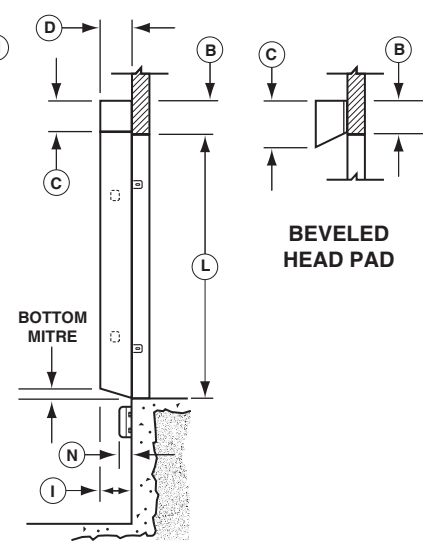
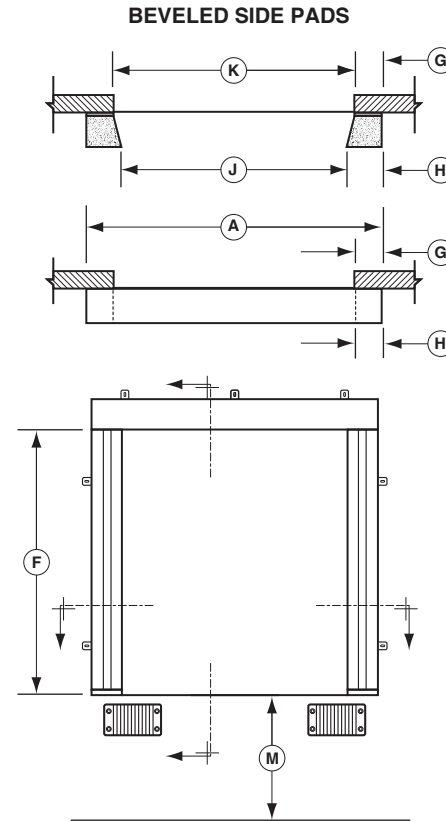


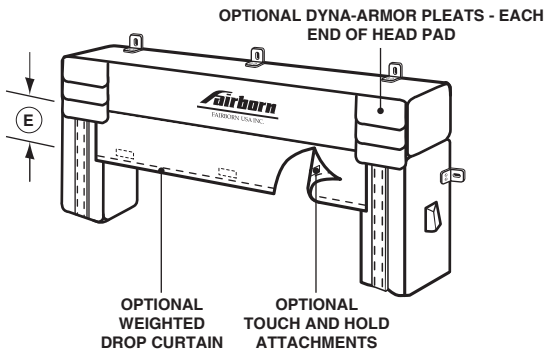
SERIES 1000 DOCK SEAL



- 4" EXPOSURE
- 8" EXPOSURE
- 16" EXPOSURE



ANGLE AND FLAT MOUNTING BRACKETS



<p>HEAD PAD DATA</p> <p>MOUNTING: <input type="checkbox"/> OVER SIDE PADS <input type="checkbox"/> BETWEEN SIDE PADS</p> <p>____ "A" WIDTH AT REAR ____ "B" HEIGHT ____ "C" HEIGHT AT FACE ____ "D" TOTAL PROJECTION ____ BASE FABRIC COLOR</p> <p><input type="checkbox"/> BLOCKOUT (IF REQUIRED) PROJECTION ____ FABRIC COLOR</p> <p><input type="checkbox"/> FACE REINFORCEMENT ____ FABRIC COLOR</p> <p><input type="checkbox"/> UNDERSIDE REINFORCEMENT ____ FABRIC COLOR</p> <p><input type="checkbox"/> DYNA-ARMOR ENDS ____ FABRIC COLOR ____ "P" PLEAT EXPOSURE</p> <p><input type="checkbox"/> FORMED STEEL BACK <input type="checkbox"/> PAINTED <input type="checkbox"/> GALVANIZED</p>	<p><input type="checkbox"/> NON-ROT BACK</p> <p><input type="checkbox"/> WEIGHTED DROP CURTAIN ____ "E" HEIGHT ____ FABRIC COLOR</p> <p><input type="checkbox"/> TOUCH & HOLD ATTACHMENT</p> <p><input type="checkbox"/> ROPE/PULLEY SYSTEM</p> <p>SIDE PAD DATA</p> <p>____ "F" LENGTH AT REAR ____ "G" WIDTH AT REAR ____ "H" WIDTH AT FACE ____ "D" TOTAL PROJ. AT TOP ____ "I" TOTAL PROJ. AT BOTTOM ____ "J" SIDE PAD FACE I.D. ____ BASE FABRIC COLOR</p> <p><input type="checkbox"/> BLOCKOUT (IF REQUIRED) PROJ: ____ TOP ____ BOTTOM ____ FABRIC COLOR</p> <p><input type="checkbox"/> FACE REINFORCEMENT ____ FABRIC COLOR</p>	<p><input type="checkbox"/> INSIDE EDGE REINFORCEMENT ____ FABRIC COLOR</p> <p><input type="checkbox"/> DYNA-ARMOR PLEATS ____ FABRIC COLOR ____ "P" PLEAT EXPOSURE</p> <p><input type="checkbox"/> FORMED STEEL BACK <input type="checkbox"/> PAINTED <input type="checkbox"/> GALVANIZED</p> <p><input type="checkbox"/> NON-ROT BACK</p>
<p>GENERAL INFORMATION</p> <p>____ "K" DOOR WIDTH ____ "L" DOOR HEIGHT ____ "M" DOCK HEIGHT ____ "N" DOCK BUMPER/LEDGE COMBINED PROJECTION</p> <p>DRIVE APPROACH: <input type="checkbox"/> LEVEL <input type="checkbox"/> DECLINED <input type="checkbox"/> INCLINED</p> <p>FB- ____ QTY. ____ SHEET ____ OF ____</p>		
<p>FAIRBORN USA INC.</p>		
<p>P.O. BOX 151 • 205 BROADVIEW STREET UPPER SANDUSKY, OHIO 43351 800-262-1188 • 419-294-4987 • FAX: 419-294-4980 VISIT US AT... WWW.FAIRBORNUSA.COM</p>		
<p>JOB: _____</p> <p>LOCATION: _____</p> <p>CONTRACTOR: _____ ARCHITECT: _____</p> <p>APPROVED BY SIGNATURE: _____</p>		