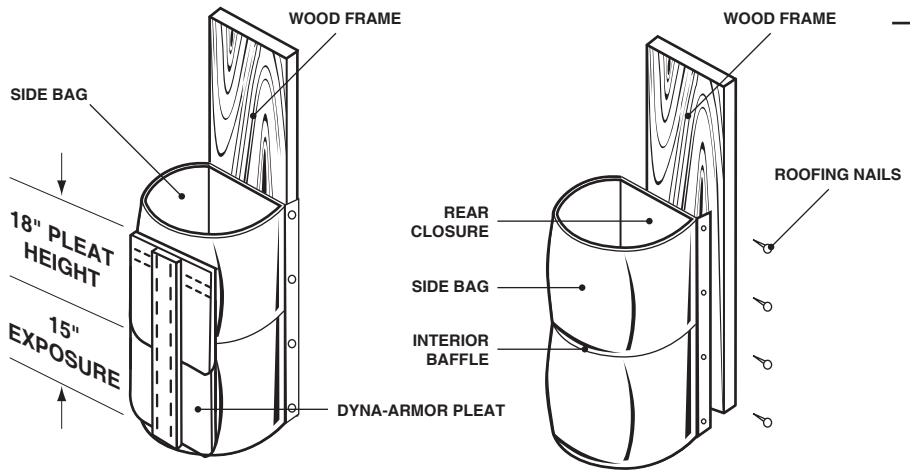
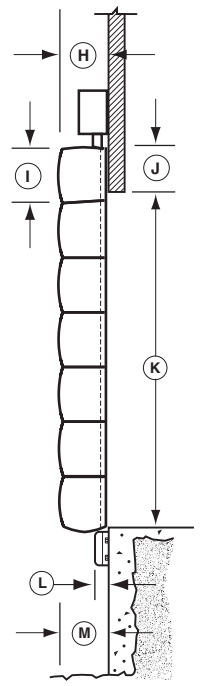
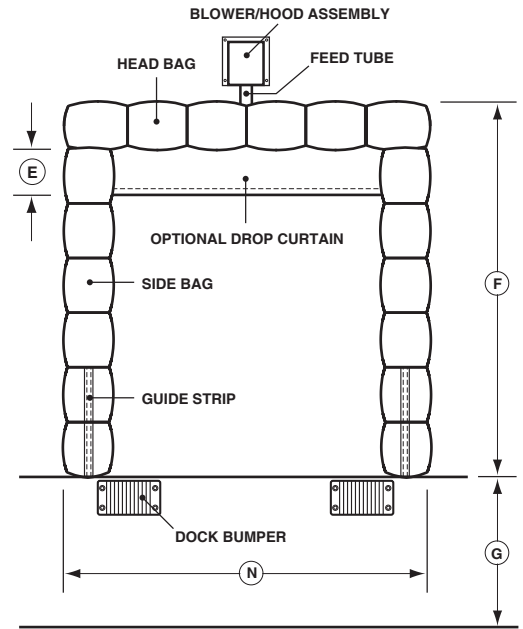
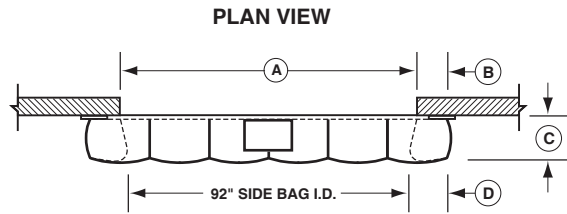
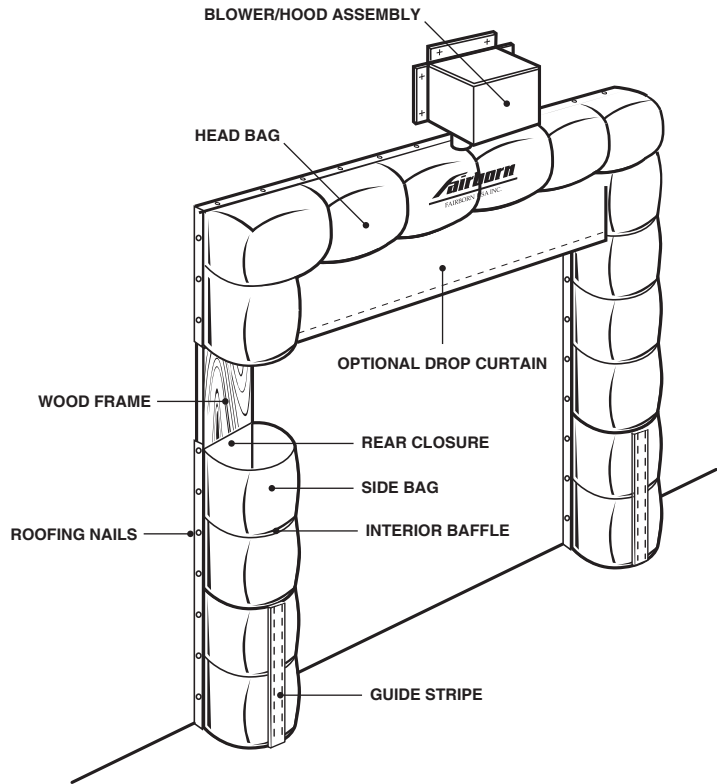


SERIES 1500
FIXED HEADER
INFLATABLE SEAL



OPTIONAL PLEAT DETAIL

CONSTRUCTION DETAIL

- _____ "A" DOOR WIDTH
- _____ "B" SIDE BAG WIDTH AT REAR
- _____ "C" UNIT TOP PROJ.
- _____ "D" SIDE BAG WIDTH AT FACE
- _____ "E" DROP CURTAIN HEIGHT
- _____ "F" UNIT HEIGHT
- _____ "G" DOCK HEIGHT

- _____ UNIT FABRIC
- _____ "H" UNIT TOP PROJ.
- _____ "I" HEAD BAG HEIGHT AT FACE
- _____ "J" HEAD BAG HEIGHT AT REAR

- _____ "K" DOOR HEIGHT
- _____ "L" DOCK BUMPER PROJ.
- _____ "M" UNIT BOTTOM PROJ.
- _____ "N" UNIT WIDTH
- _____ PLEAT FABRIC



P.O. BOX 151 • 205 BROADVIEW STREET
UPPER SANDUSKY, OHIO 43351
800-262-1188 • 419-294-4987 • FAX: 419-294-4980
VISIT US AT... WWW.FAIRBORNUSA.COM

JOB:	
LOCATION:	
CONTRACTOR:	ARCHITECT:
APPROVED BY SIGNATURE:	