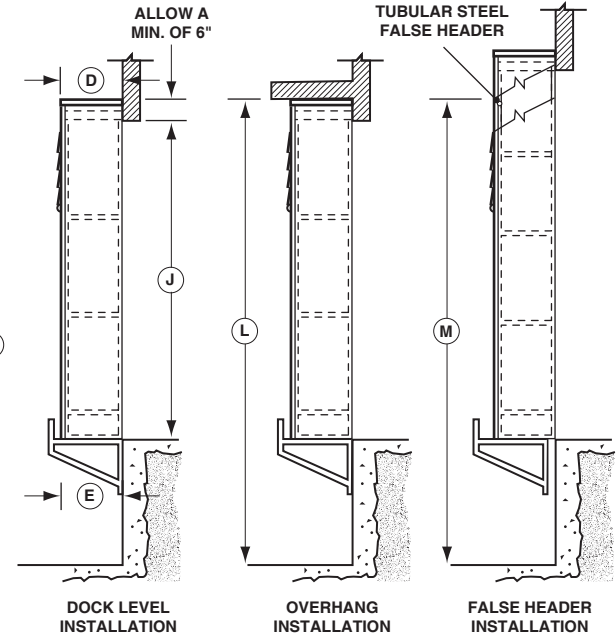
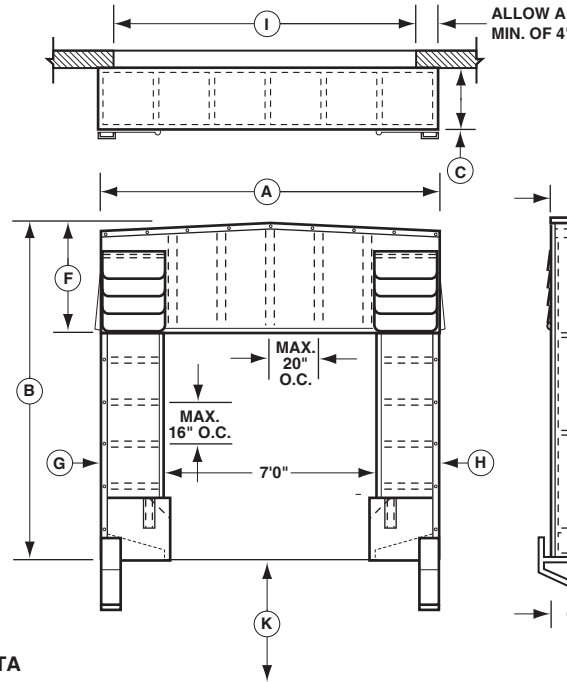
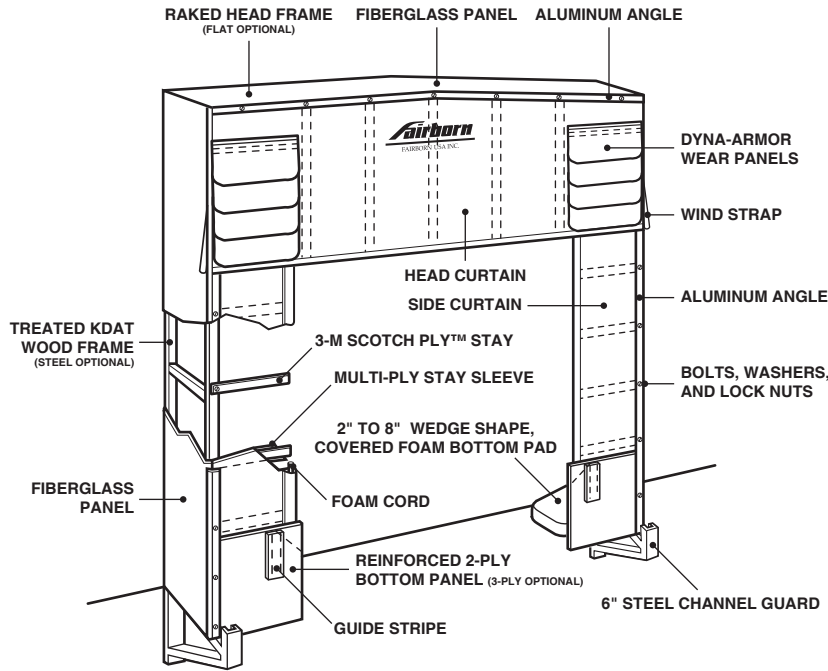
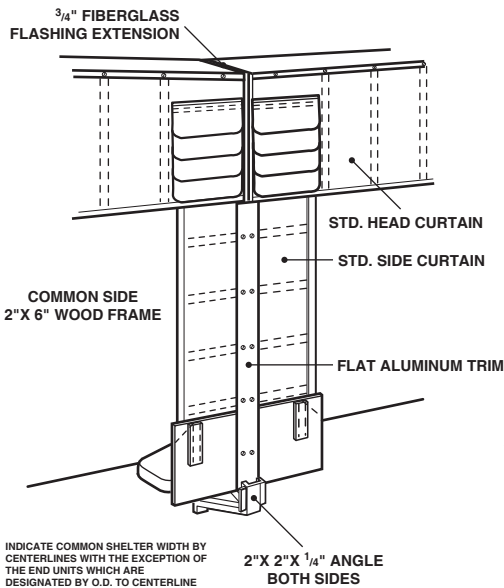


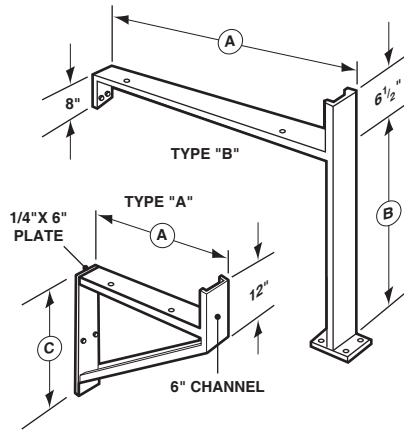
SERIES 2000
RIGID TRUCK SHELTER



COMMON SIDE MEMBER



STEEL GUARD DATA



"A" TOTAL STEEL GUARD PROJ.
(STD. 6" GREATER THAN SIDE FRAME BOTTOM PROJECTION)

"B" DIM: MEASURE FROM DRIVE GRADE TO DOCK LEVEL @ "A" DIM. FROM BUILDING

"C" STEEL GUARD PROJ. "C" DIM.

24"-30"	20"
36"-42"	27"
48"-54"	34"

PLAN VIEW

<p>TYPE</p> <input type="checkbox"/> DOCK LEVEL <input type="checkbox"/> OVERHANG <input type="checkbox"/> FALSE HEADER <input type="checkbox"/> GROUND LEVEL (NOT SHOWN) <input type="checkbox"/> CANTILEVER DOCK (NOT SHOWN) <input type="checkbox"/> SET BACK WALL (NOT SHOWN)	<p>"D" SIDE FRAME TOP PROJ.</p> <p>"E" SIDE FRAME BOTTOM PROJ.</p> <p>"F" HEAD CURTAIN LENGTH</p> <p>"G" LEFT SIDE CURTAIN WIDTH</p> <p>"H" RIGHT SIDE CURTAIN WIDTH</p> <p>"I" DOOR WIDTH</p> <p>"J" DOOR HEIGHT</p> <p>"K" DOCK HEIGHT</p> <p>"L" DIM. TO OVERHANG</p> <p>"M" DIM. TO FALSE HEADER (STD. INSTALLED @ 15" ABOVE GRADE)</p>	<p>OPTIONAL EQUIPMENT</p> <input type="checkbox"/> FULL "Z" (STAY PATTERN TOP OF SIDE CURTAIN) <input type="checkbox"/> 3-PLY BOTTOM REINFORCEMENT (BOTTOM OF SIDE CURTAIN) <input type="checkbox"/> COMMON SIDE MEMBER <input type="checkbox"/> TUBULAR STEEL FRAME <input type="checkbox"/> PAINTED <input type="checkbox"/> GALVANIZED <input type="checkbox"/> FLAT HEAD FRAME <input type="checkbox"/> 2X4 WOOD <input type="checkbox"/> TUBULAR STEEL <input type="checkbox"/> ACCESS DOOR (LARGE PROJ. SIDE FRAMES, ONLY) <input type="checkbox"/> PULL ROPE (ROPE & PULLEYS TO RAISE HEAD CURTAIN) <input type="checkbox"/> BOTTOM FILLER PANEL (GROUND LEVEL UNITS ONLY)
	<p>FABRIC</p> <input type="checkbox"/> DYNALON <input type="checkbox"/> 1003 <input type="checkbox"/> 1001 <input type="checkbox"/> 1006 <input type="checkbox"/> 1002 <input type="checkbox"/> 1007	
<p>DIMENSIONS</p> <p>"A" SHELTER WIDTH (6" INCREMENTS) (RECOMMENDED 11'-0" MIN. - 13'-0" MAX.)</p> <p>"B" SHELTER HEIGHT (6" INCREMENTS) (RECOMMENDED 11'-0" MIN. - 15'-0" MAX. EXCEPT GROUND LEVEL TYPE)</p> <p>"C" HEAD FRAME PROJ.</p>		
<p>FAIRBORN USA INC. P.O. BOX 151 • 205 BROADVIEW STREET UPPER SANDUSKY, OHIO 43351 800-262-1188 • 419-294-4987 • FAX: 419-294-4980 VISIT US AT... WWW.FAIRBORNUSA.COM</p>		
<p>JOB:</p>		
<p>LOCATION:</p>		
<p>CONTRACTOR:</p>		<p>ARCHITECT:</p>
<p>APPROVED BY SIGNATURE:</p>		